

Model 541

X1 / 10

A

M8x20



x 4

B

M8x60



x 4

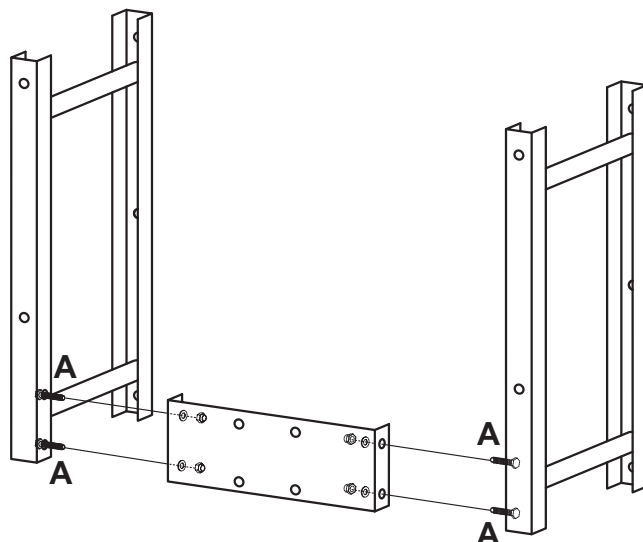
C

M10x80



x 4

1



2

